



Model 4501 Standard Band Compact Cassegrain C Band & Ku Band LMA Antenna

Electrical Specifications

Operating Frequency (GHz)	C-Band		Ku-Band	
	Receive	Transmit	Receive	Transmit
	3.7~4.2	5.925~6.425	10.95~12.75	13.75~14.5
Typical Gain (dBi)	43.8	47.2	53	54.5
Axial Ratio (Circular Polarized) 2-Port Feed	1.5	1.5		
VSWR	1.25:1	1.25:1	1.25:1	1.25:1
Antenna Noise Temperature 10° Elevation 20° Elevation 40° Elevation	2-Port Feed 36 30 25		2-Port Feed 50 44 38	
Beamwidth (-3dB -15dB)	1.14° 2.4°	0.72° 1.42°	0.37° 0.57°	0.31° 0.63°
Power Capability		5kw		1kw
Feed Interface	CPR-229G	CPR-137G	WR-75	WR-75
Feed Insertion Loss (dB)	0.25	0.2	0.25	0.25
Port-Port Isolation Tx To Rx (dB)		85dB		85dB
Cross Polarization Isolation (on axis)	35dB	35dB	35dB	35dB
Sidelobes	CCIR,580			

Mechanical Specifications

Motor Drive System	Azimuth Travel Rate ±60° Elevation Travel Rate 5° to 90°
Surface Accuracy (RMS)	0.5mm
Finish	White paint

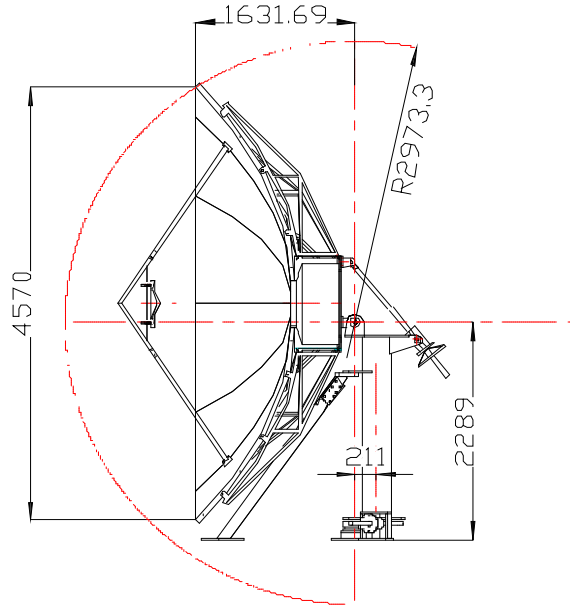
Environmental Specifications

Operational Wind	45mph (72km/h) Gusts To 60mph (97km/h)
Survival Wind	125mph (200km/h)
Ambient Temperature	-15°C to +50°C
Relative Humidity	0% to 98%
Seismic (Survival)	0.3G's Horizontal 0.15G's Vertical

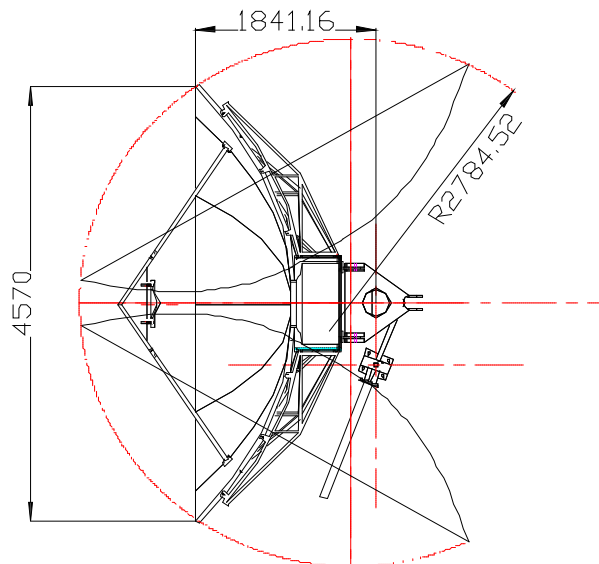
Alpha Satcom, Inc.
www.alpha-satcom.com



Model 4501 Standard Band Compact Cassegrain C Band & Ku Band LMA Antenna



SIDE VIEW



TOP VIEW